



SDE TECH[®]
Digital Transformation

COMPANY PROFILE

SDE DIGITAL TECHNOLOGY CO., LTD

COMPANY INFOMATION

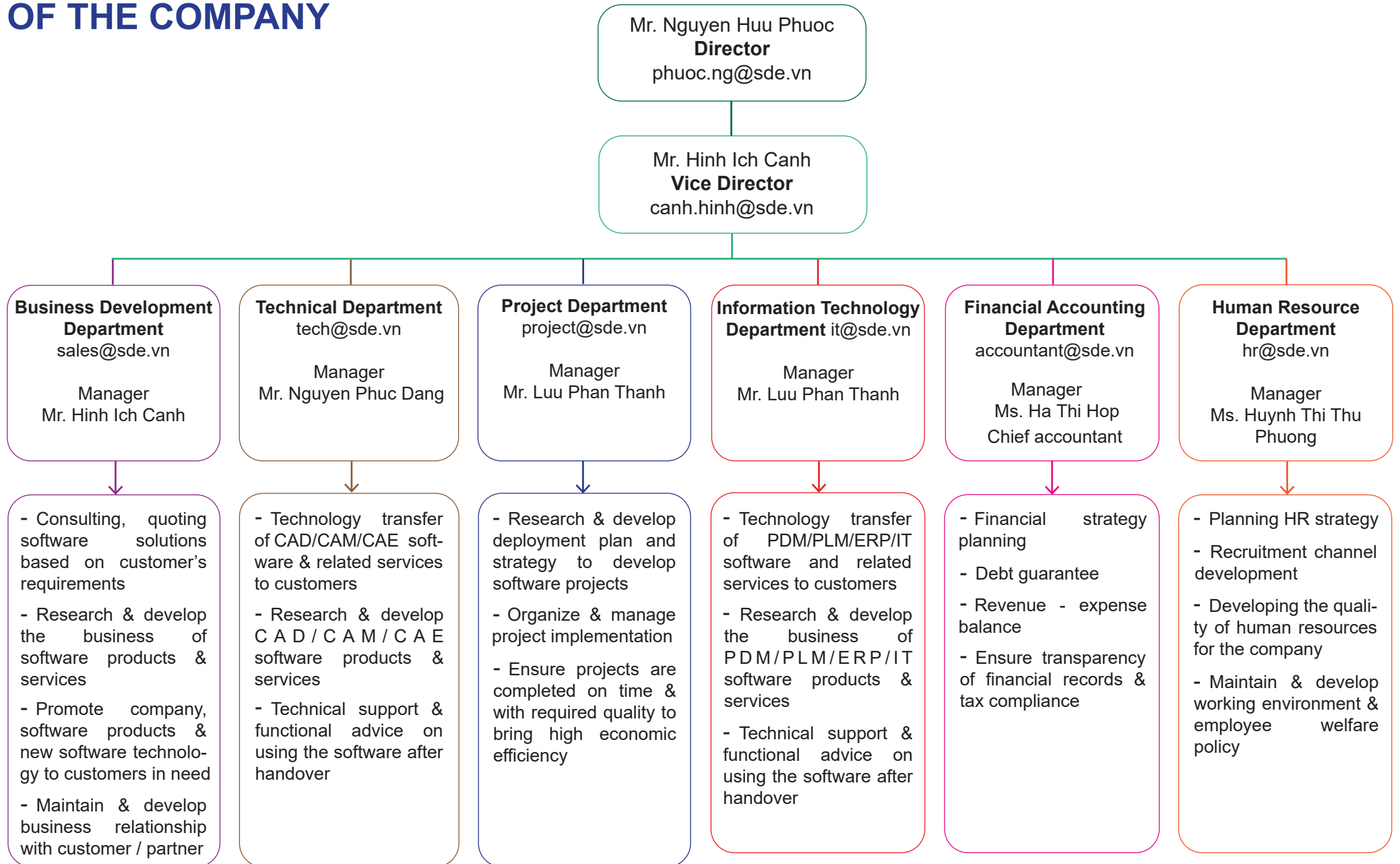


Mr. Nguyen Huu Phuoc
Director – Founder
Email: phuoc.ng@sde.vn
Phone: 0909 107 719

“I’m confident that all of my employees have lots of experience to bring to the customers the best quality products as well as services in digital industry”

Company name	: SDE DIGITAL TECHNOLOGY CO., LTD
Address	: 5th floor, Room 502, Happy Office Building, 793/49/1 Tran Xuan Soan Street, Tan Hung Ward, District 7, Ho Chi Minh City
Phone Number	: (+84) 909 107 719 - (+84) 904 524 597 - (028) 3910 4180
Email	: sales@sde.vn
Texcode	: 0314792740
Representative	: Nguyen Huu Phuoc
Position	: Director

ORGANIZATION CHART OF THE COMPANY





CORE VALUE

- Professionalism & innovation at work
- Dedication, responsibility, honesty with customers to create trust
- Collective strength based on solidarity and sharing



MOTTO

- Focus customer needs and satisfaction to make a difference
- Building long-term and sustainable value based on relationships with customers - partners

Motto: Always find a solution to fit every customer's problem



VISION

- Become one of the leading reputable software solutions corporations in Vietnam and Southeast Asia
- Top partner of Siemens and exclusive partner of Topsolid in Vietnam
- Creating an ecosystem of software solutions under the brand name SDE TECH



MISSION

To Customer

Constantly improving quality to bring the best product and services to meet the increasingly diverse and complex needs of customers

To Society

Provide solutions to improve work efficiency and effectiveness, contribute to accelerating the development of the working environment towards modernizations and environmental protection in a sustainable way

To Industry

Bringing CAD/CAM/CAE/PLM/ERP software technologies closer to users in Vietnam. Contributing to promoting the development of manufacturing industries in Vietnam

SOFTWARE PRODUCT PORFOLIO

MECHANICAL DESIGN

- Solid Edge
- NX CAD
- Topsolid'Design

PRODUCT LIFECYCLE

- Teamcenter

SIMULATION

- Simcenter 3D
- Simcenter Amesim (1D)
- Simcenter Nastran
- Simcenter STAR-CCM+
- Simcenter FloEFD

CNC SHOPFLOOR MANAGEMENT

- SIEMENS MOTION & CONTROL

SEAT TRIM ENGINEERING

- MASTERTRIM

PCB DESIGN

- Xpedition
- PADS

MANUFACTURING

- NX CAM
- Solid Edge CAM Pro
- Topsolid'Cam

FUNITURE DESIGN & MANUFACTURING

- Topsolid'Wood

OTHERS

- PROGE CAD
- 3DVIEWSTATION

COMPOSITE DESIGN

- Fibersim
- NX Composite





SIEMENS DIGITAL INDUSTRIES SOFTWARE

Siemens Digital Industries Softwares provide rich set of product applications have helped companies in all industries to improve their businesses through product and process innovation.

The complexity of today's smart products and their associated manufacturing processes places demands on companies to understand the interaction of these multi-domain systems at a depth not required before.

Creating and sharing precise digital twins of each stage of the product's processes is fundamental for transforming into a digital enterprise. Siemens software portfolio of products addresses each of the domains with industry-leading technology across all areas.

NX

Siemens NX software is a flexible and powerful integrated solution that helps you deliver better products faster and more efficiently. NX delivers the next generation of design, simulation, and manufacturing solutions that enable companies to realize the value of the digital twin.

Supporting every aspect of product development, from concept design through engineering and manufacturing, NX gives you an integrated toolset that coordinates disciplines, preserves data integrity and design intent, and streamlines the entire process.

NX for Design

The most powerful, flexible, and innovative product development solution in the industry, NX for Design has the features, performance, and capabilities to help you get product to market faster than ever before.

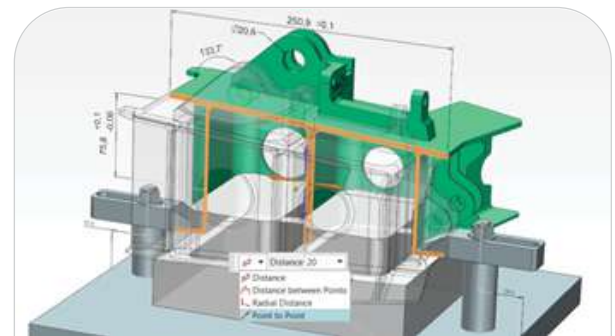
NX for Design enables you to deliver products "right to market, first time" using more virtual product models and fewer, more costly, physical prototypes. This leads to market gains, lower development costs, and improved product quality.



NX for Manufacturing

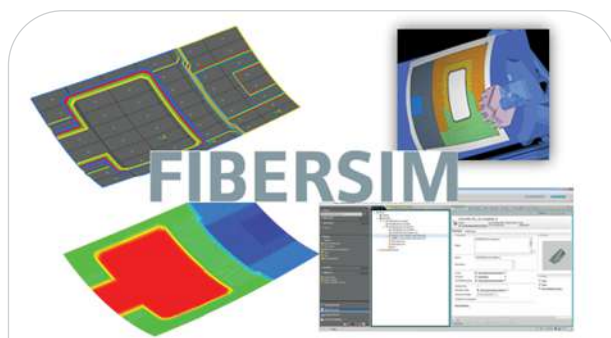
Drive efficient end-to-end part manufacturing operations and deliver high-precision parts through digitalization.

Program CNC machine tools, control robotic cells, drive 3D printers and monitor quality using one software system. Digitally transform your part manufacturing business to gain productivity and increase profitability.



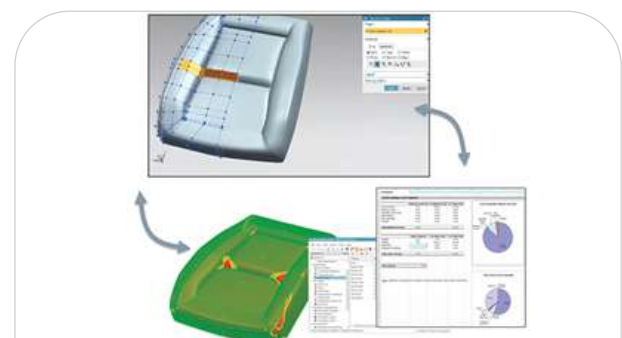
Fibersim

The end-to-end design and manufacturing solution for composite parts



Mastertrim

Optimizing the entire seat trim engineering process



SOLID EDGE

Solid Edge is a portfolio of affordable, easy-to-use software tools that addresses all aspects of the product development process—3D design, simulation, manufacturing, data management and more. Solid Edge combines the speed and simplicity of direct modeling with the flexibility and control of parametric design – made possible with synchronous technology.

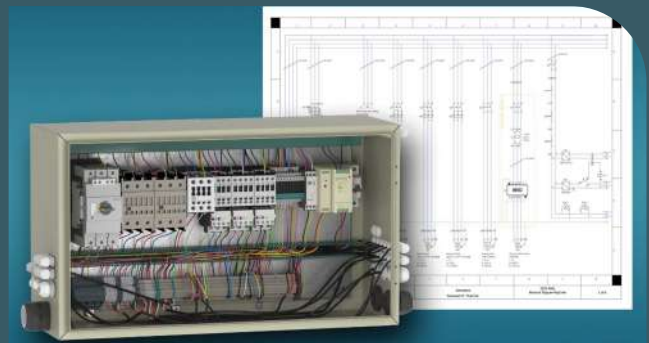
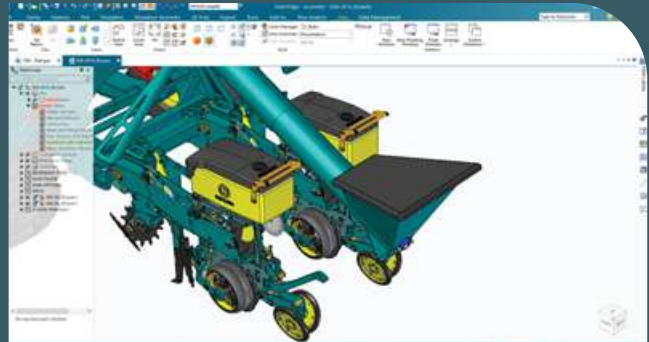
3D Design

Solid Edge provides users with a full portfolio of solutions to meet a wide range of business needs. Solid Edge not only offers rich design solutions, but scalable solutions for simulation, manufacturing and data management as well.

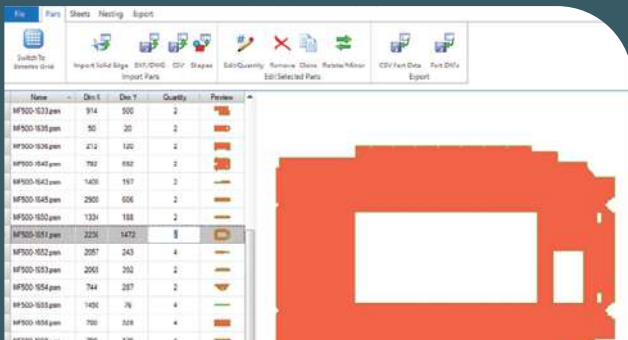
Simulation



Electrical Design



2D Nesting

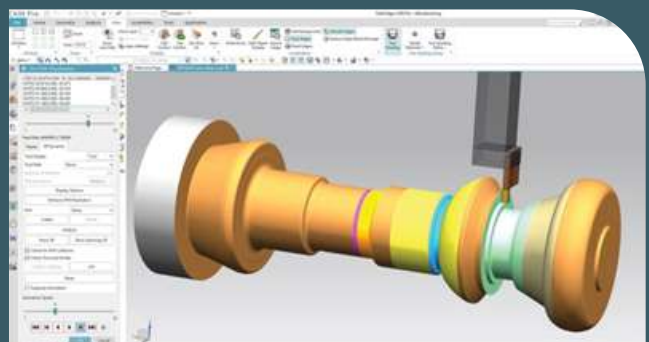


Data Management

Technical Publication



Manufacturing



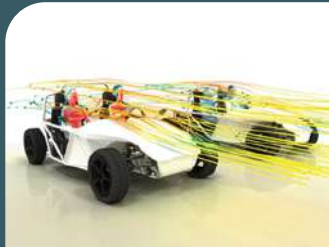
SIMCENTER

SIMULATION AND TEST SOLUTIONS

Performance engineering requires accurate prediction to ensure your product delivers. Turn product complexity into a competitive advantage with Simcenter solutions that empower your engineering teams to push the boundaries, solve the toughest problems, and bring innovations to market faster.

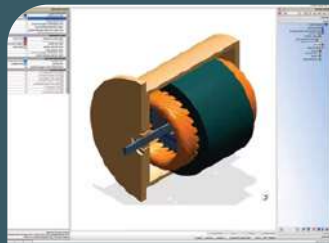
Fluids and thermal simulation

Innovate better products, faster, with computational fluid dynamics (CFD) and computational chemistry software.



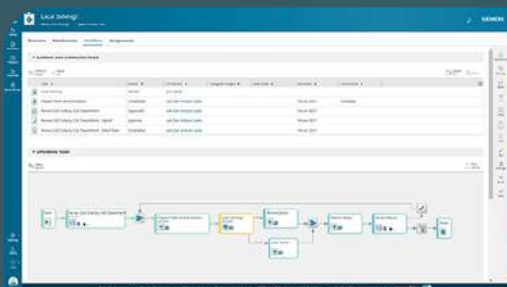
Electromagnetics simulation

Electromagnetic simulation helps you to improve efficiency, ensure compatibility and guarantee performance in a complex and noisy electromagnetic environment.



A range of dedicated solvers (time and frequency based, linear and nonlinear, finite and boundary element) offer a transformative CAE process, with simulations ranging from a fast, initial analysis to inherent realism for final verification.

Simulation process and data management

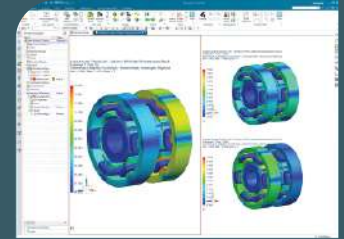


Manage all relevant tools, data and processes for simulations and physical testing. Deliver results, on time, to relevant decision-makers across your business.

Find, share and re-use simulation and test data and processes in a fully integrated, multi-discipline PLM environment to improve engineering productivity.

Mechanical simulation

Predict mechanical performance of detailed product designs across multiple physics disciplines, such as structures, acoustics, motion and more. Efficiently pre- and post-process your simulation models quickly for accurate and fast simulation solvers so you can spend more time engineering innovation.



Autonomy solutions

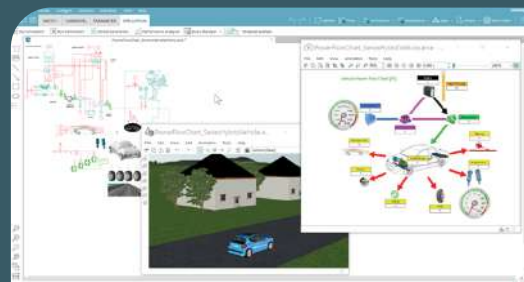
Smoother and productive journeys are the future of mobility. New



trends point to vehicles with increased levels of driver assistance systems, eventually level 5 and then total autonomy. The variables to achieve this extend far beyond the vehicle, encompassing the surrounding environment.

Testing designs in a mixed physical and simulated environment ensures confidence in product development before deployment.

Systems simulation



Simcenter systems simulation allows the rapid creation of heterogeneous system simulation architectures, extending the digital twin concept to software engineering.

TEAMCENTER PLM

Plan, develop and deliver innovative products with Teamcenter software. Discover why Teamcenter is a leading choice in product lifecycle management (PLM).

Product configuration management

Meet rising demands for consumer choice and product personalization without driving up costs. Use a single definition of variability from product planning to manufacturing and service.



Bill of materials (BOM) management

Meet the challenges of your innovative and varied product offerings. Use unified, design-aligned multi-domain bill of materials (BOM) management. Author and release configured products while effectively managing change and downstream processes.



PLAN FOR PERFORMANCE AND PROFITABILITY

What are the requirements? How will it work as a system? What are the cost targets? What resources, schedules and deadlines are needed? What will the complete BOM for all configurations and variations look like?

Requirement Engineering Management

Requirements describe what your customers will buy. Integrating them with the product lifecycle allows them to drive all aspects of the product lifecycle toward consistent compliance, creating compliant-by-design products.



MBSE: Model-based systems engineering

Product development without integrated architecture is like building without blueprints. System integration can consume as much as half of your program's resources. Start using model-based systems engineering (MBSE) early on for continuous integration.



PLM process management

Take control of planning, schedules, resources and processes – including change cycle time – to realize better project, product and program execution. Manage and automate your project, product and program-related processes. Reduce change cycle time, manage the impact and control the cost of change. Hit deadlines, manage resources and stay on budget.



Product cost management

Determine and evaluate product and tool costs, product carbon footprint, and profitability at the start of the product lifecycle. Make informed decisions to drive down carbon emissions, reduce product costs and address customer value demands.

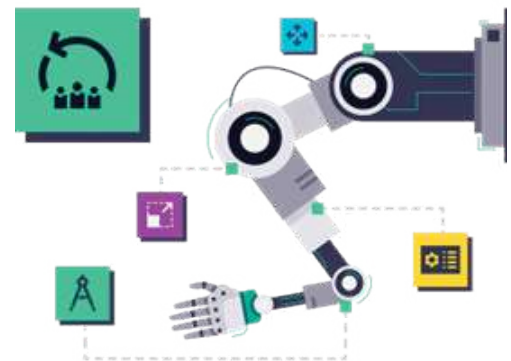


DEVELOP ACROSS DEPARTMENTS AND DOMAINS

How can teams collaborate across departments and domains? How do visualization and simulation speed up design reviews and cut prototype costs? Want to ensure accurate documentation?

Mechanical design management

Improve engineering productivity by up to 25%. Find, share and re-use mechanical CAD (MCAD) data in a fully integrated, multi-domain PLM environment. Unlock mechanical designs for business-wide collaboration. Teamcenter is easy to use with AutoCAD, Inventor, CATIA, Creo, NX, Solid Edge and SolidWorks.



Electrical CAD and electronic systems management

Fully manage the entire electronic design cycle from schematic capture to manufacturing - in alignment with mechanical and simulation engineers. Improve engineering productivity for ECAD. Find, share and re-use electrical and electronic CAD data in a fully integrated, multi-domain PLM environment.



Software design management



Synchronize, orchestrate and align your software and hardware product development lifecycles to deliver high-quality cyber-physical products. Don't migrate, duplicate or even aggregate data. Manage dependencies across the entire lifecycle, including requirements, change and configuration management.

Product visualization and digital mockup software



Build better products, faster. Streamline design and review cycles, improve communication and increase innovation – across the product lifecycle. Use 3D visualization to connect directly to your PLM system, allowing users to visualize, interrogate and markup any BOM in any configuration – fast.

Product document management and technical publications



Create, manage and deliver product documents and technical publications for all stakeholders – from engineering to marketing, manufacturing, service and support.

Simulation process and data management

Manage all relevant tools, data and processes for simulations and physical testing. Deliver results, on time, to relevant decision-makers across your business.

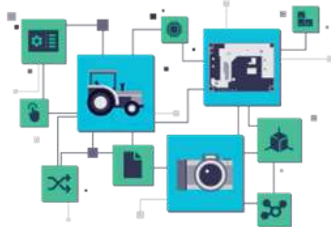


Find, share and re-use simulation and test data and processes in a fully integrated, multi-discipline PLM environment to improve engineering productivity.

DELIVER PRODUCT VISIBILITY AND INSIGHT

Are you ready to start manufacturing? What do you need from suppliers? What are your quality targets? How do you provide the best services? What tool should you use to assess and report your product's success? Plan for sustainability!

Product lifecycle management (PLM) analytics



Find data, gain insights and make smart product decisions faster. Monitor performance throughout

the product lifecycle. Find the information you need without a lot of effort: Today's products require an enormous amount of data. Dashboards, reports and smart, connected data help you find the information you need – fast.

Supplier management software



Coordinate processes, manage information and drive early supplier involvement across all stages

of the product lifecycle. Oversee supplier interactions with solutions that provide simple, responsive and secure supplier management.

Sustainable product development



Design, procure and manufacture for sustainability with a comprehensive green digital twin. Integrate environmental

data with product data at every phase of the product lifecycle with sustainable product development.

Manufacturing process planning and data management



Get into production faster with Teamcenter manufacturing process planning and data management. Collaborate instantly

and securely to optimize part production and assembly operations. Execute all related activities more efficiently with a digital thread that spans your organization and plants.

Quality and compliance management



Leverage integrated quality and compliance management in PLM to exceed customer expectations and deliver premium

quality products. Embedding quality and compliance processes across the product lifecycle turns complexity into an advantage and minimizes core business risk.

Service lifecycle management



Integrate your service bill of materials (BOM) with engineering, improve quality with service asset management and

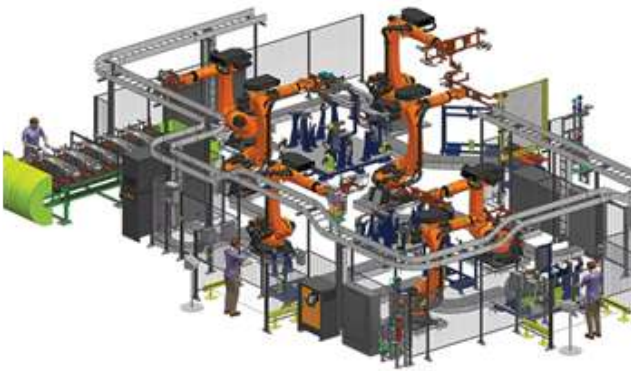
planning, and manage physical structures to improve first-time-fix rates. Service engineering efficiencies will enhance your bottom line. Turn service initiatives into increased revenue with fully integrated service lifecycle management.

TECNOMATIX

Digitalize manufacturing and the process for turning your innovative ideas—from vehicles, aircraft and medical devices, to electronics, consumer goods and beer—into transformative products for your customers, right now.

Factory and line design

Quickly design, visualize, simulate and optimize complete production layouts with less risk and at lower cost, and easily associate them to manufacturing plans using a single system.



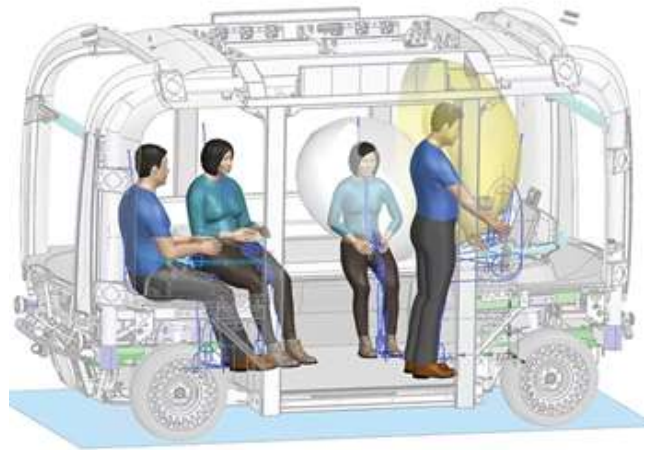
Robotics programming and simulation

Engineer advanced robotic and automated production systems and optimize their performance using 3D robotic workcell design, offline robotics programming, robotics simulation and virtual commissioning software.



Human-centered design and simulation

Design products with improved ergonomics in mind and assess human factors for operations to help plan safer workplaces.



Manufacturing process planning

Execute part manufacturing and assembly planning activities more efficiently with full data management and collaboration using a digital thread that spans your entire organization.



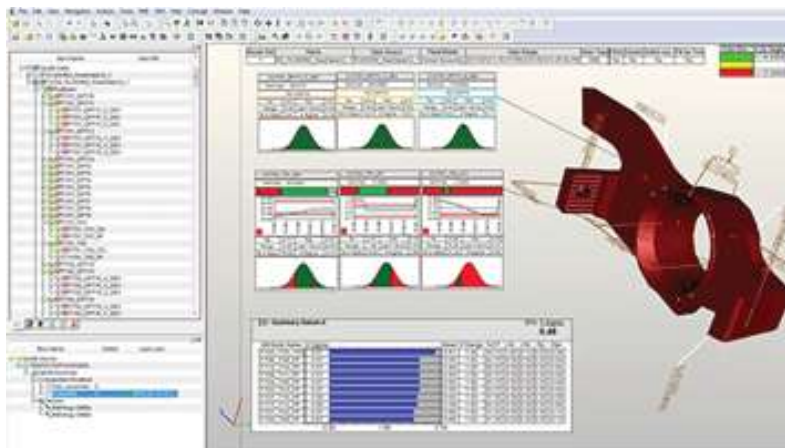


Advanced manufacturing visualization

Blur the lines between the digital and real worlds to bring advanced manufacturing systems to life in the industrial metaverse, well before their production readiness.

Model-based quality control

Integrate quality parameters during product design, manufacturing planning and production to ensure dimensional and build quality, and to help eliminate costly manufacturing quality issues on the factory floor.



TOPSOLID - INTEGRATED CAD/CAM/PDM SOLUTION

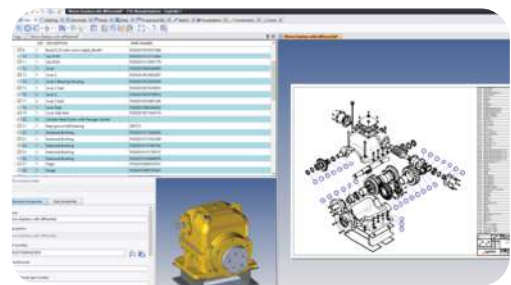
TopSolid is a unique blend of innovation and technologies. Mathematics and geometry, mechanics and material science (metal, wood, sheet metal), IT top-quality ergonomics, and process engineering. How refreshing to have all this knowledge in a software package that is comprehensive, easy to use, robust and just natively awesome!

If you are looking for a complete CAD/CAM/PDM product to meet your manufacturing requirements - retrieval, modification, creation of geometries, building on know-how, production using any technology, control of operations and machines, publication and organization of technical data - then we have the answer! Unique, efficient, reliable, complete and incredibly productive.

TOPSOLID'DESIGN

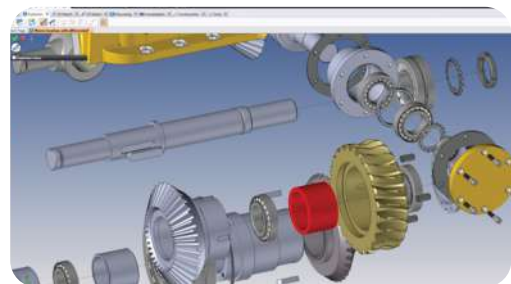
Open and flexible CAD software

- > Communication with most of the formats on the market
- > Step, IGES, DXF/DWG, Solidworks, PTC, Catia...
- > Point cloud import (xyz, pts, ply) from 3D scanners
- > Direct editing tools for imported geometries



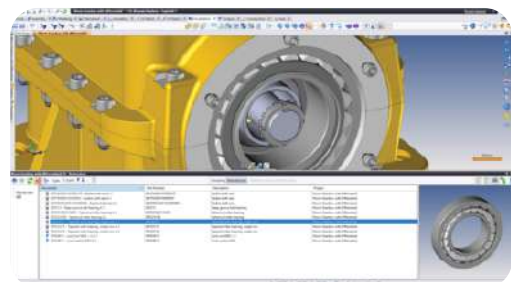
Unlimited CAD design

- > Design your ideas in 3D without restriction, express your creativity!
- > Hybrid solid / surface modeling tools
- > Dedicated mechanical features commands (drilling, grooving, pocketing, etc.)
- > Complete sheet metal module (flattening, bending loss rules, rolling with over-length...)
- > Integrated access to TraceParts and Cadenas
- > Integrated component libraries: ISO, AFNOR, DIN mechanical components
- > ISO GPS tolerancing, directly on the 3D model (MBD), or in 2D drawing



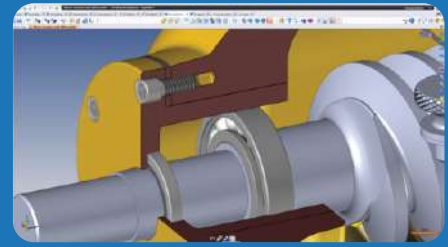
Fully integrated PDM

- > Integrated and transparent, making it easy to use.
- > Improves collaboration between sites, teams, and people.
- > Streamlines engineering and production processes.
- > Search by criteria, references, use cases.
- > Manages products life cycles.
- > Manages data security and tracks changes.
- > Reduces the risk of design and manufacturing errors.
- > Manages minor/major revisions of all types of documents (part, assembly, etc.).
- > Deployable as a single user, in a local network or in a multisite.



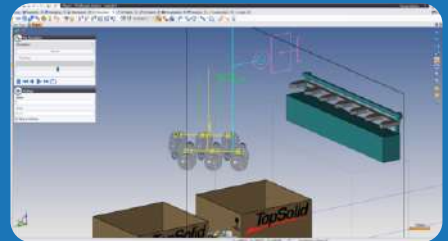
Intelligent components

- Store your company know-how
- The most complete parameterization engine on the market, totally integrated and without programming
- Integrated machining processes
- Unlimited fields of application (mechanical, sheetmetal, furnitures, ...)
- Components are making their own operations, ready for manufacturing



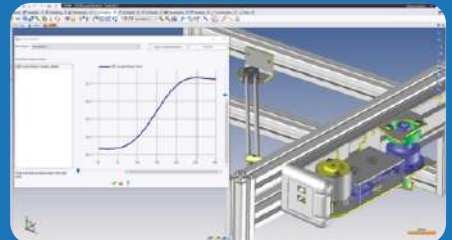
Associative design

- Save time on your modifications and avoid many errors
- Bottom-Up Design, Top Down Design, In Place Design
- Assembly design can be totally driven by a layout sketch
- Any changes update all documents, from base sketch to final parts



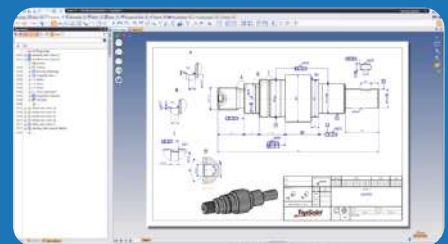
Simulation and verification

- Articulate and simulate your 3D designs to anticipate problems and collisions
- Collaborate easily with your teams by visualizing the operating principles of your designs
- Kinematic chain of a design is totally independent from the structure of the assembly
- Simulate kinematics and dynamics, analyze collisions between rigid groups and take measurements (speed, distance, etc.)



Automated Production Documents

- Automation of repetitive and tedious tasks.
- Creation of standardized and dimensioned 2D drawings.
- Manage Exploded views and assembly instructions.
- Drawing Bundles (assembly of several drawings).
- Cutting lists (profiles, sheets, screws...), supply lists, purchase lists...
- Export in many formats (3D PDF, FBX, STEP, DXF, DWG,...).
- Optimized cutting lists, using integrated extruded bar nesting



Visualize your Designs

- A complete immersion for your customers.
- Avoid misunderstandings and facilitate decision making!
- Fully integrated realistic rendering.
- Integrate your design into a real photo
- PBR materials (color, roughness, normal, metalness...)
- Real-time (working mode), and also raytraced to produce photorealistic images.

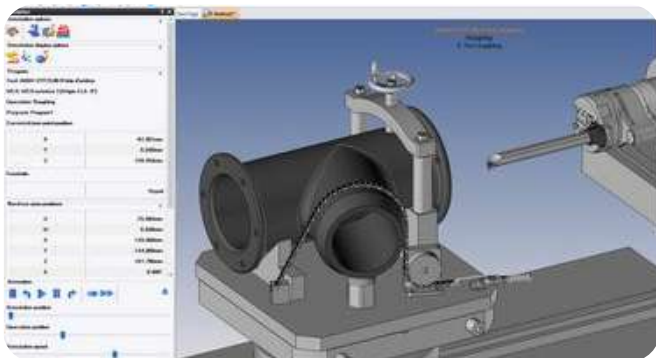


TOPSOLID'CAM

The integrated digital factory

- > TopSolid'Cam is a fully integrated CAD/CAM solution. Within TopSolid, the CAD and CAM solutions are parametric and associative.
- > Free and direct design in the TopSolid global system. TopSolid'Design - TopSolid'Mold - TopSolid'Progress - TopSolid'Electrode
- > Perfect integration between the design department and the process planning department.
- > TopSolid solutions are 100% compatible with each other:
 - Associative and parametric
 - Easy to implement and flexible
 - Work in a secure and collaborative environment
 - Simple, modern and intuitive ergonomics

Work environment



- > Unlimited management of the working environment
- > TopSolid'Cam allows you to define all the components of your machining range:
 - The machine environment, its kinematics and accessories (universal heads, angle tools, Andrea, etc.)
 - All the standard clamping forms and custom machining fixtures
 - All the cutting tools and their holders

Interoperability

- > Unique ability to manage and modify imported data
- > TopSolid provides the native interfaces of all CAD software. TopSolid also reads all standard files: DXF/DWG, IGES, STEP, Parasolid, etc.
- > In addition, the import of PMI (Product Manufacturing Information) allows you to retrieve features, geometric and dimensional tolerances, as well as surface finishes.
- > Thanks to the FreeShape functionality,
- > TopSolid offers a global solution to directly modify the imported solids, to adjust them to average dimensions and apply reconstructions in order to machine them more quickly.

Machining

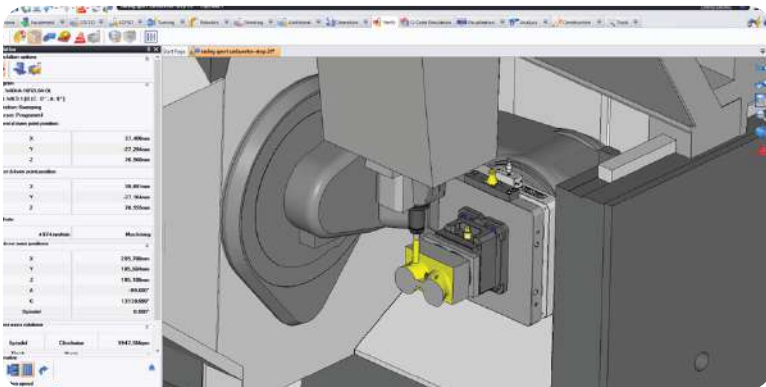
- > TopSolid'Cam meets all your machining needs. Whatever your trade: medical, aeronautics, general or precision mechanics, molds or tools, watchmaking, eyewear, mechanically welded parts, etc. TopSolid'Cam is the answer to your needs
- > Our different modules offer a wide range of technical solutions for your machining needs in 2D, 3D, 4- or 5-axis milling, in position or continuous machining and also in turning



NC Simulation

- > TopSolid'Cam offers 3 solutions:
 - A quick access simulation level to ensure the correct machining trajectories
 - A verification level to visualize the removal of material at each moment
 - A level of simulation of the ISO code to verify the movements of the machine taking into account the macros (tool change, tilted plane matrix, etc.) as defined on the machine in the workshop

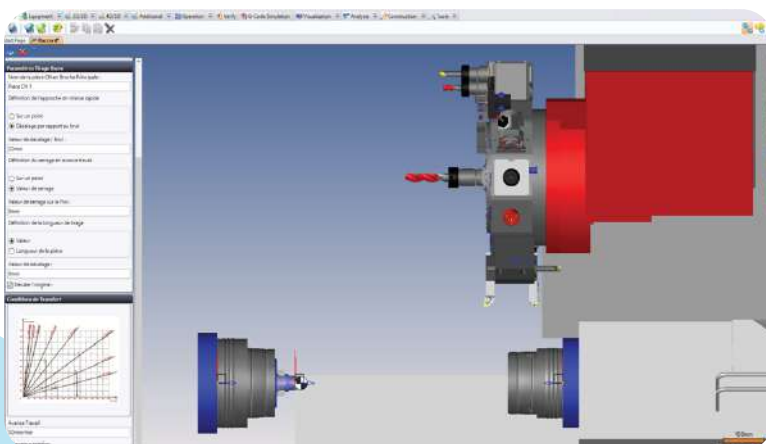
- > Flexibility and part evolution with change management and program monitoring
- > A change of machine is always possible to deal with unforeseen circumstances. Modifications to parts designed in TopSolid are managed in TopSolid thanks to the PDM and the project life cycle
- > In addition TopSolid integrates a functionality to replace imported parts in an existing machining line
- > With more than 30 years of experience and know-how in the workshop, our expertise is at your service to customize your post-processors and thus guarantee maximum reliability and quality
- > Adjust programs to the machine's feet with TopSolid'Cam Operator



- > Create added value with the automated production of a manufacturing file for the workshop
- > Create your inspection routines and enter the measurements with TopSolid'Inspection
- > Go from virtual to real with TopSolid'ShopFloor: program management, tool management, ...

Optimize your production

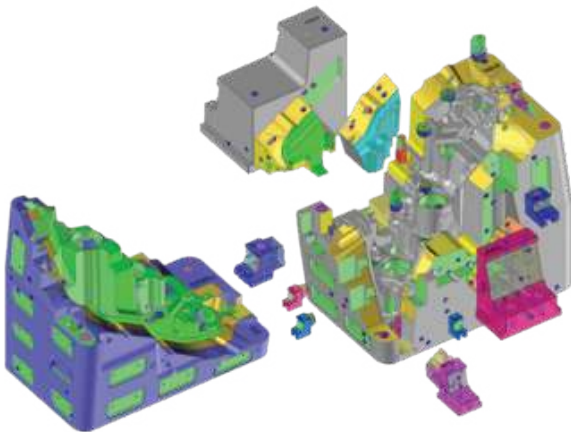
- > Simple, fast and efficient. Each operation of the TopSolid'Cam CAM software can be saved as a "Favorite". It can then be reused at will by all the company's programmers



- > Capitalize and automate your know-how
- > Copy and paste machining routines: Simple and quick duplication of machining operations from part A to part B
- > Methods: Record intelligent and interactive machining range macros and apply them automatically to new part

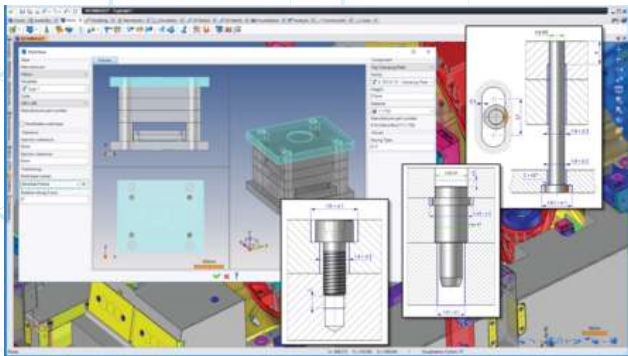
TOPSOLID'MOLD

Accelerate the 3D design of core cavities



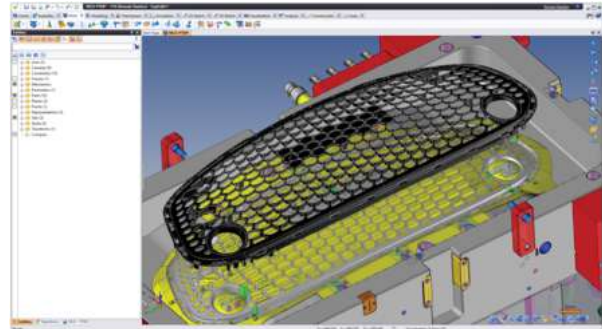
- > Shrinkage factor management, globally or differentially
- > Rapid analysis of undercuts and undercutting of plastic parts
- > Automatic detection of parting lines
- > Computer-aided creation of parting line surfaces
- > Management of block inserts as soon as the cavities are separated

Parametric components, unique!



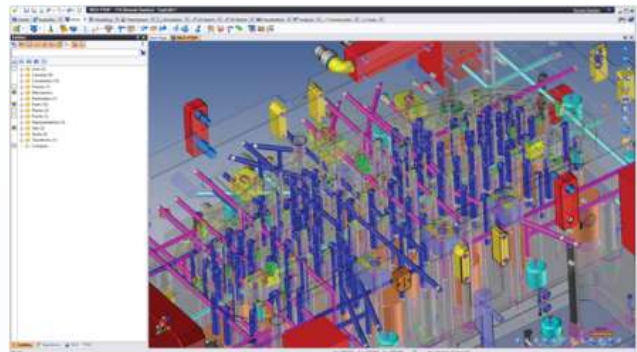
- > TopSolid'Mold allows you to capitalize on your know-how. When profitability meets your innovation!
- > CAD software with the most complete parameterization engine on the market, totally integrated and without programming
- > Integrated machining processes
- > Numerous native libraries: Hasco, Futaba, Meusburger, Rabourdin, DME, Misumi and many others

Open and flexible CAD software



- > TopSolid'Mold supports communication with most of the formats on the market
- > Import Step, IGES, DXF/DWG, Solidworks, PTC, Catia, NX...
- > Verification and repair tools for imported models

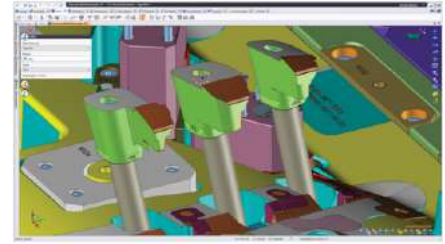
3D tooling design tools



- > Model your ideas without restriction, express your creativity!
- > Hybrid 3D solid / surface design and modeling
- > Dedicated business commands:
 - Layout and definition of carcass
 - Regulation circuits
 - Movements: fingers, drawers, rising wedges
 - Feeding circuits
 - Ejection
 - Kinematic simulation of the tooling

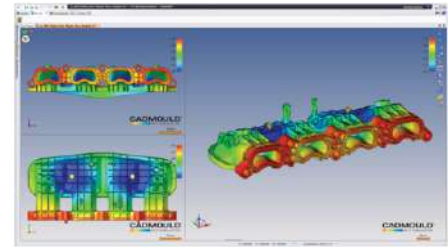
Kinematic simulation and verification

- > Easily collaborate with your teams by visualizing tooling operating principles with our tooling CAD software.
- > Check for possible collisions before going into production
- > TopSolid'Mold allows you to easily and efficiently simulate all types of mechanical connections:
 - Demoulding finger with management of the opening delay
 - Rising wedge
 - Unscrewing (cylinders, racks, pinion cascades)



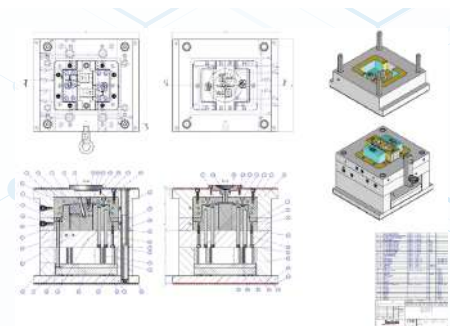
Rheological simulation

- > In close collaboration with Simcon, TopSolid'Mold, a tooling CAD software, offers several levels of rheological simulation:
 - TopSolid'PlasticFlow, which is totally integrated and allows a first level of analysis before the tooling is made
 - For a more detailed analysis, TopSolid'Mold offers a dedicated and direct interface with the Simcon software suite
 - These tools allow you to anticipate molding problems and optimize production cycles



Automated production file

- > Focus on your added value thanks to the automation of repetitive & tedious tasks with TopSolid'Mold
- > Automatic creation of standardized, dimensioned and tooling-specific drawings
- > Detailed parts lists (plates, ejectors, fixtures, etc.) necessary for procurement and purchasing
- > Automated drawing sets (assembly of several drawings) TopSolid'Mold CAD software allows for export in many formats (3D PDF, STEP, DXF, DWG, etc.)



A fully integrated PDM

- > TopSolid'Mold CAD software increases productivity by capitalizing on knowledge
- > Manages minor/major revisions of all types of documents (part, assembly, etc.)
- > Manages data and access security and tracks modifications
- > TopSolid'Mold manages the life cycle of products.
- > Deployable as a single user, in a local network or in a multi-site environment
- > Search by metadata and by use case

- > Integrated and transparent PDM, making it easy to use
- > Improves collaboration between sites, teams, and people
- > Streamlines engineering and production processes.
- > Reduces the risk of errors in 3D design and manufacturing.



TOPSOLID'PROGRESS

TopSolid'Progress helps you prepare your engineering projects

- > Standard and native interfaces: IGES, STEP, DXF / DWG, CATIA, PTC, SAT, Parasolid
- > Data clean-up and repair
- > Unbending/unstamping
- > Conversion into sheet metal, identification of folds, loss management
- > Nesting, material engagement
- > Strip creation by specific operation: cutting, folding, deformation, shearing

TopSolid'Progress capitalizes on your work

- > Assembly of mold bases, standard plates, user plates, foundry plates
- > Standard die bases, customizable die base assembly libraries
- > Standard component libraries by supplier: guides, attachments, cutting, drivers, springs, accessories
- > Automatic and associative dimensioning of standard components, installation wizards
- > Automatic machining with parts in contact, customizable clearances
- > Addition of user components

TopSolid'Progress makes strip design easier

- > Unbending (with management of losses in folds) and unstamping
- > Definition of characteristics of strips, multi-part strips, assembly strips, transferred stations
- > Insertion and removal of stations
- > Calculation of efforts
- > Specialized cutting, folding, deforming and shearing operations
- > Step-by-step calculation of intermediate shaping and unstamping steps
- > Calculation of multi-pass cylindrical stamping, supports

TopSolid'Progress improves the quality of your engineering

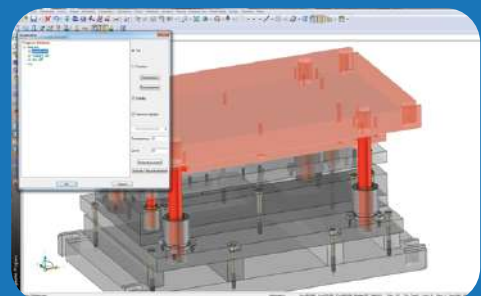
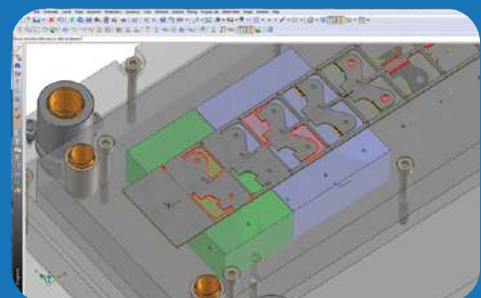
- > Cutting matrices, clearance management, release of cut-offs
- > Cutting punches, shoulders, heads, wave cutting
- > Kinetics wizard with collision detection
- > Deformation punches and matrices
Insert blocks
- > Folding punches and matrices, advanced management of overfolding

TopSolid'Progress reduces your production time

- > Collaborative design methodology
- > Strip drawing, cut-out zones, drivers, notes describing the operations
- > Automatic detail drawings, dimensions with tolerances, drilling tables
- > Automatic stock calculation
- > Automatic and indexed BOMs
- > Overall drawings (standard views or open book), interruption of sections to check the heights

TopSolid'Progress to produce and manage

- > Assisted organization by assemblies and levels
- > Direct and associative links with TopSolid'Cam and TopSolid'Wire for the workshop CAM



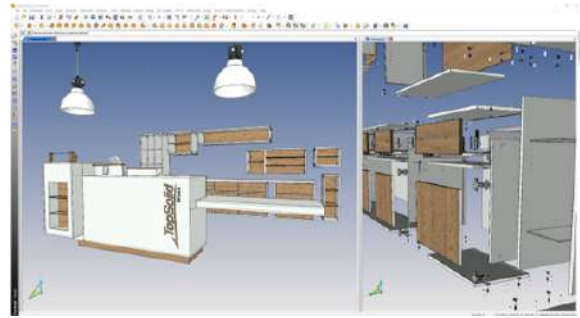
TOPSOLID'WOOD

TopSolid'Wood: a customized solution that adapts to your needs

- > TopSolid'Wood is the only integrated CAD/CAM software package specially developed to meet the needs of the wood industry.
- > Unlimited creativity: TopSolid'Wood is based on the Parasolid exact modeler.

- Projects designed to be built: TopSolid'Wood's specific functions integrate machining issues on the 3D model, right from the modeling phase. "Design to build". These specialist functions can also be finely customized for a precise and effective adaptation to the various manufacturing processes.

Build on your know-how: the configuration and associativity of TopSolid'Wood enable you to make the most of your everyday work.

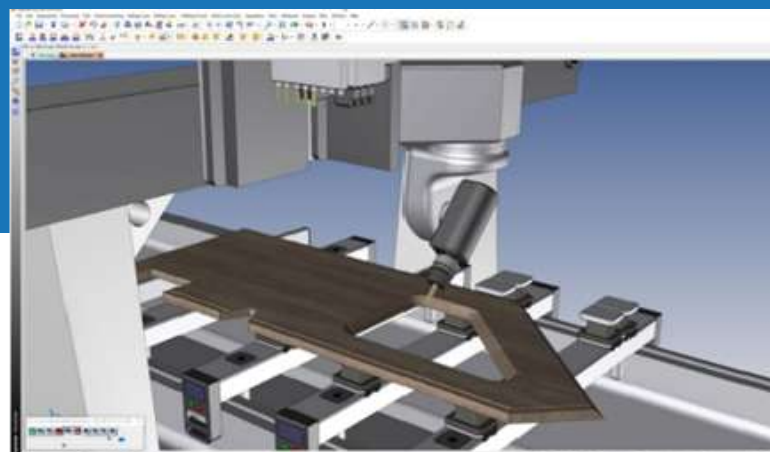


Machining with TopSolid'WoodCam

- > TopSolid'WoodCam is a CAM solution developed specifically for the wood industry, with automatic geometry recognition for machining operations
- > Complete associativity between the model defined in CAD and the preparations in CAM
- > A selection of machining processes, from simple to complex machining
- > Post-processors developed in close collaboration with machine toolmakers

With TopSolid'Wood, communicate more easily and satisfy your customers

- > Powerful drawing features
- > Data exchanges with your partners: standard import and export interfaces and specific interfaces for manufacturing
- > Photo-realistic images
- > Production of sales and marketing documentation to boost your sales



A feature-rich tool to boost your productivity

- > Predefined positioning
- > Geometric drivers
- > Component libraries that contain machinings
- > A feature-rich tool to boost your productivity
- > With sheet metal, plastics or steel, etc. TopSolid'Wood's integration with the other TopSolid modules allows you to easily work on multi-material projects.

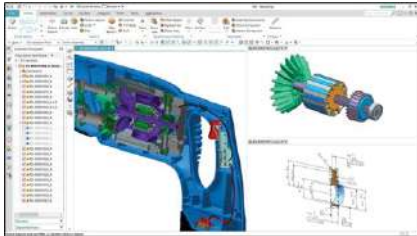
SERVICES SDE TECH

CAD/CAM/CAE SOFTWARE TRAINING

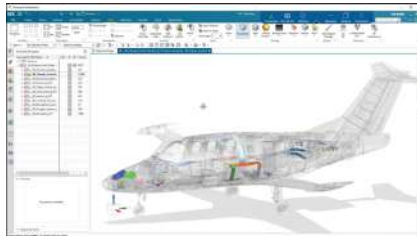
SIEMENS NX

DESIGN

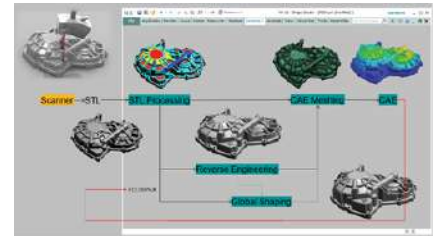
Product Design training



Aerospace Design training



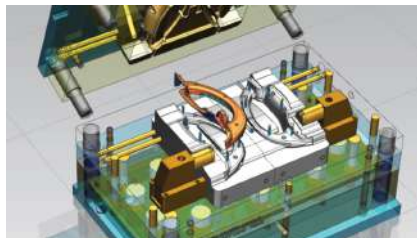
Reverse Engineering training



Industrial Design & Styling (Class A surface) training



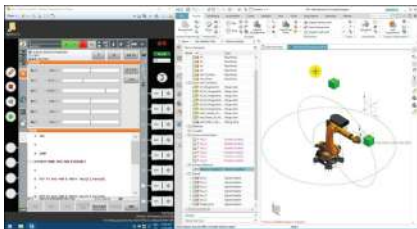
Plastic Mold & Electrode Design training



Seat Trim Design & Manufacturing

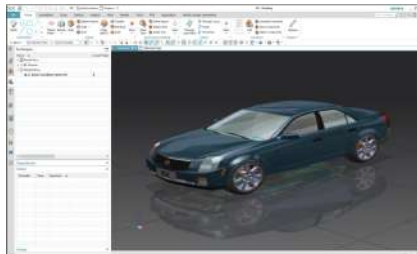


Mechatronic Design training

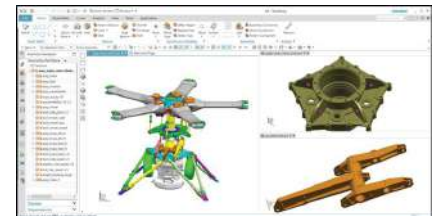


Concept

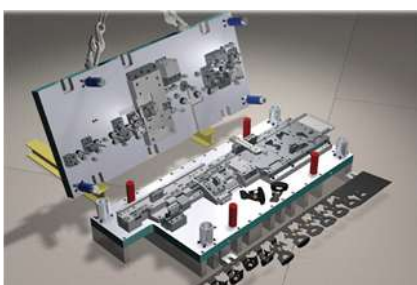
Automotive Design training



Industrial Machinery Design training

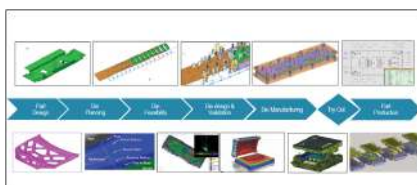


Progressive Die Design training

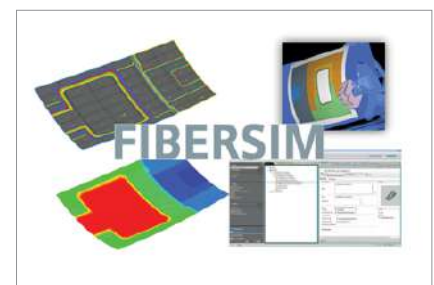


Die Design

Stamping Die Design training

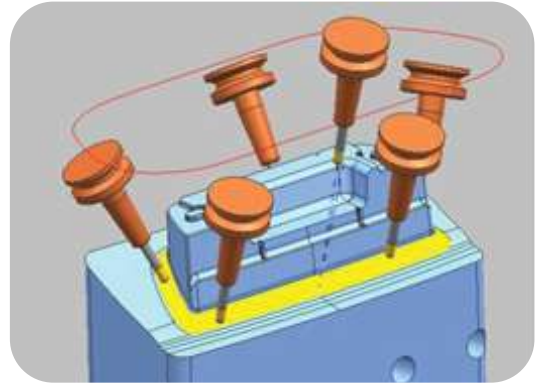


Composite Design & Manufacturing



MANUFACTURING

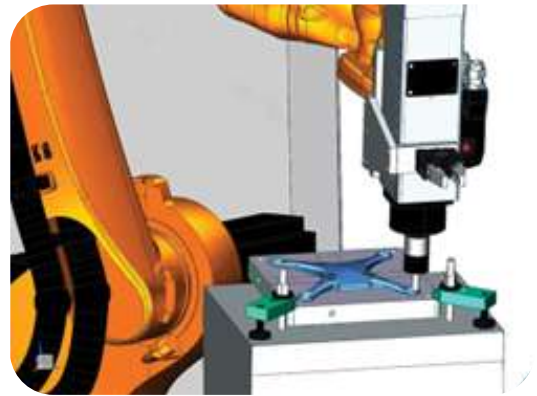
5 Axis Milling



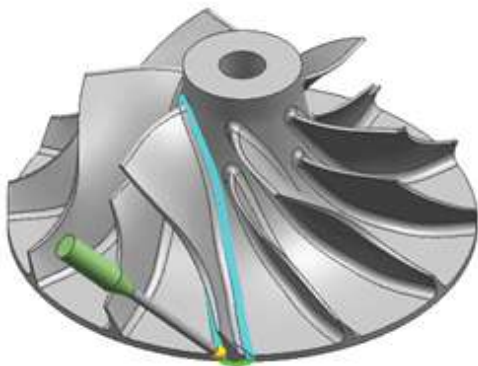
Wire EDM Advanced



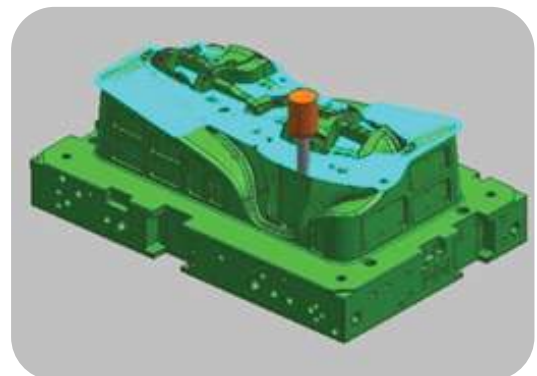
Robotic Machining



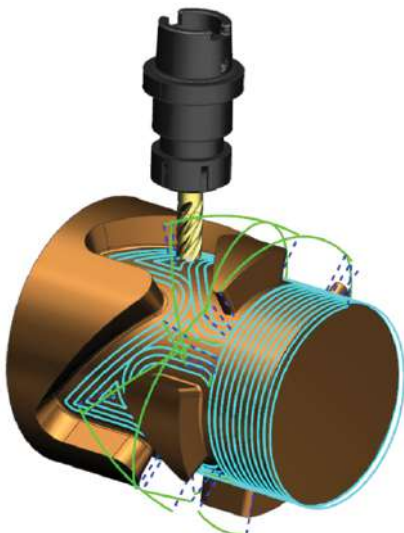
Turbomachinery Machining



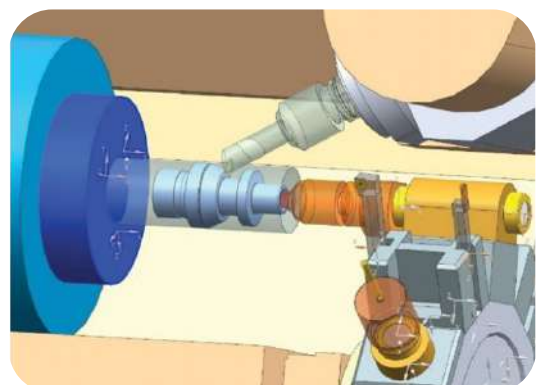
3 Axis Milling



Rotary Machining



Turning & Mill-Turn



SIEMENS SOLID EDGE

DESIGN

Industrial Machinery Design training



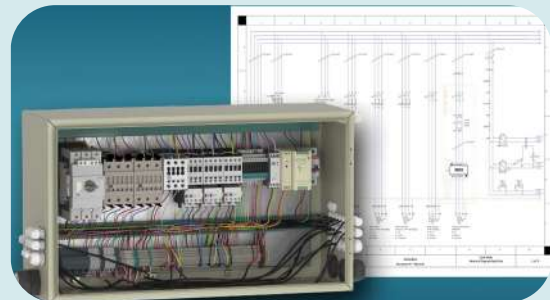
Product Design training



Modular Plant Design training (Piping & P&ID)

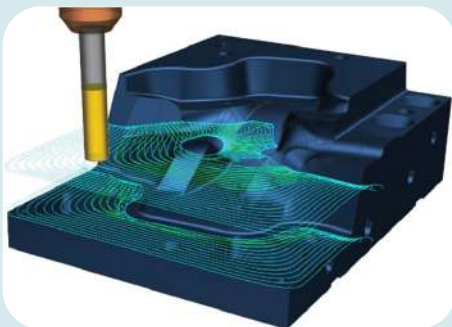


Electrical Design training

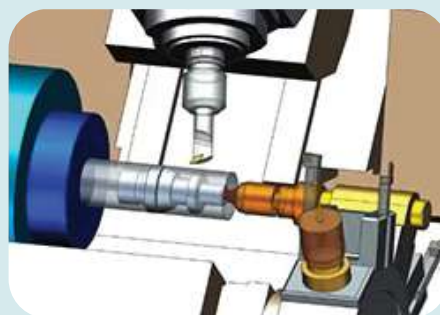


MANUFACTURING

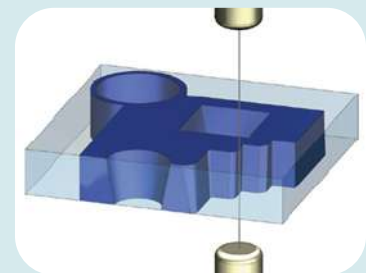
3 Axis Milling



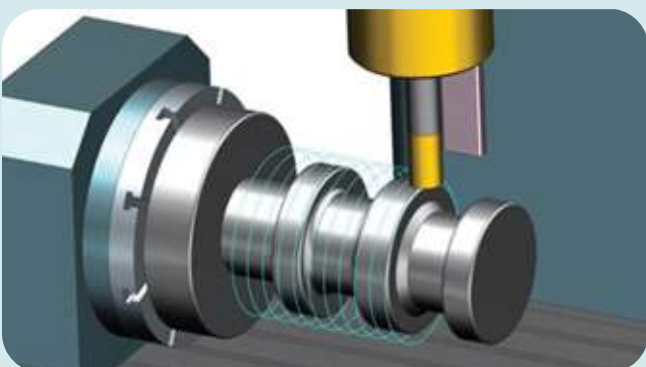
Turning & Mill-Turn



Wire EDM



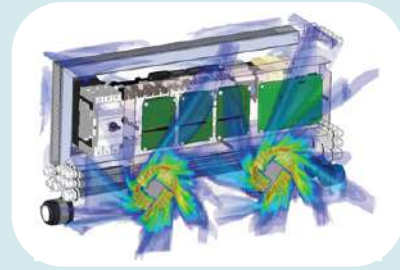
Rotary Machining



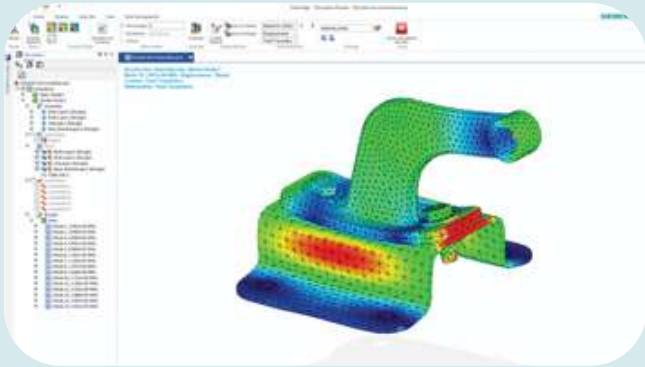
5 Axis Milling



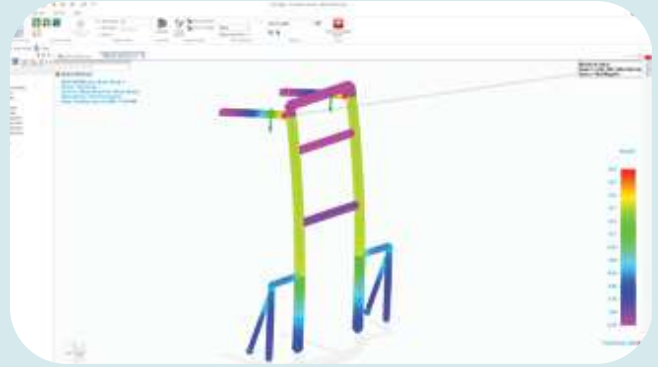
Flow Simulation training (FloEFD)



Simulation Standard training



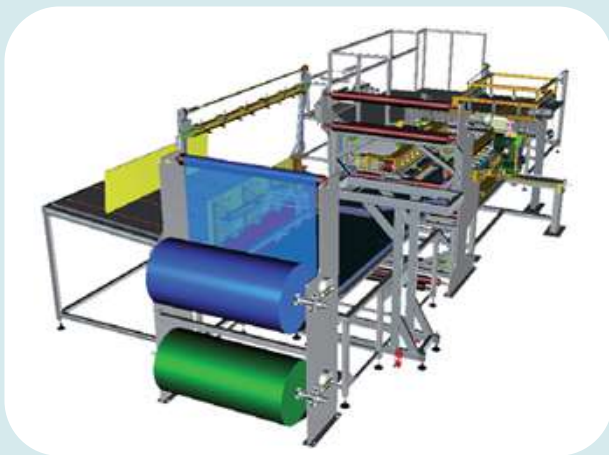
Simulation Advanced training



TOPSOLID

DESIGN

Industrial Machinery Design training



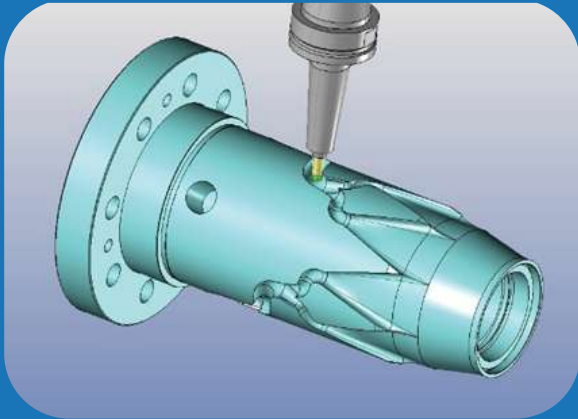
Product Design training



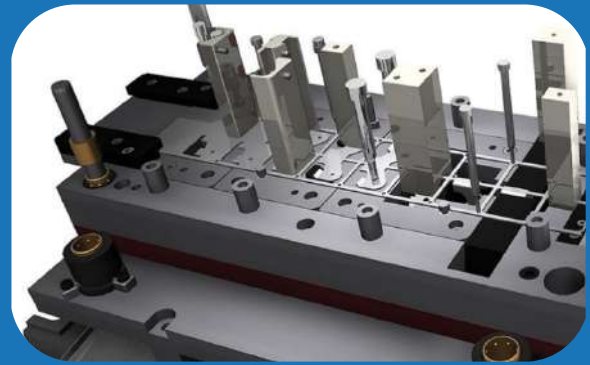
Furniture Design & Manufacturing



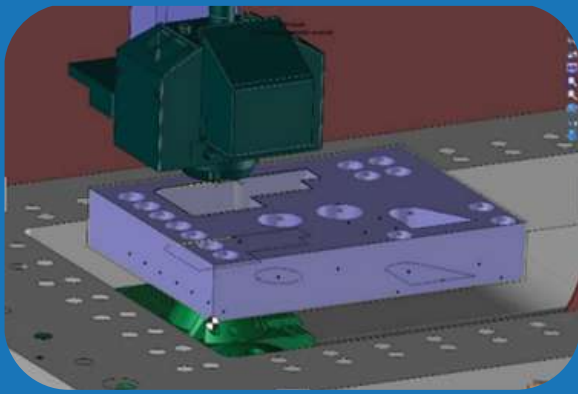
4 Axis Milling



Progressive Die Design training



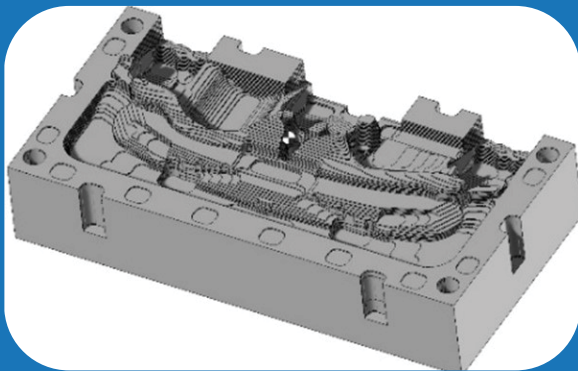
Wire Cut training



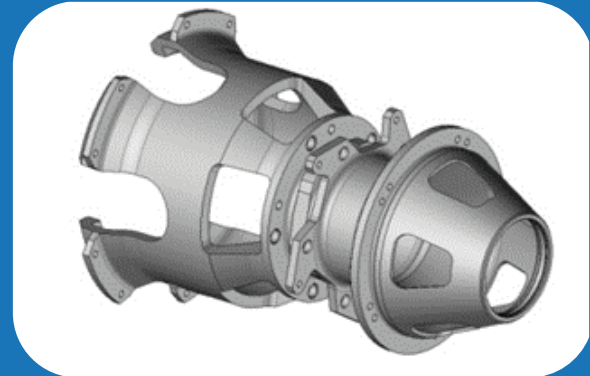
Plastic Mold & Electrode Design training



3 Axis Milling



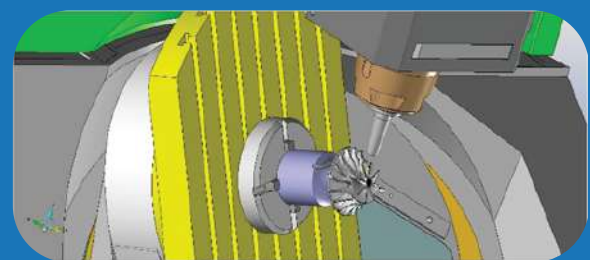
Turning & Mill-Turn training



Swiss-Turn training



5 Axis Milling



SIMCENTER 3D SIMULATION

- Essential training
- Advanced training
- Structural dynamic simulation
- Motion simulation
- Dynamic Response simulation
- Thermal Simulation
- Flow simulation



- Flow simulation
- Thermal & Flow simulation
- Acoustic simulation
- Electromagnetics simulation
- Durability & Fatigue
- Material Engineering
- Laminate Composites

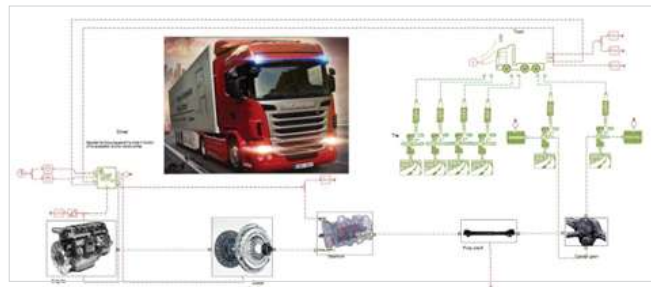
SIMCENTER STAR-CCM+ (TOTAL MULTIPHYSICS CFD SOLUTION)

- Fundamental training
- Data Analysis training



SIMCENTER AMESIM (1D SYSTEM SIMULATION)

- Fundamental training
- Hydraulic system simulation



CAD/CAM SOFTWARE SERVICE

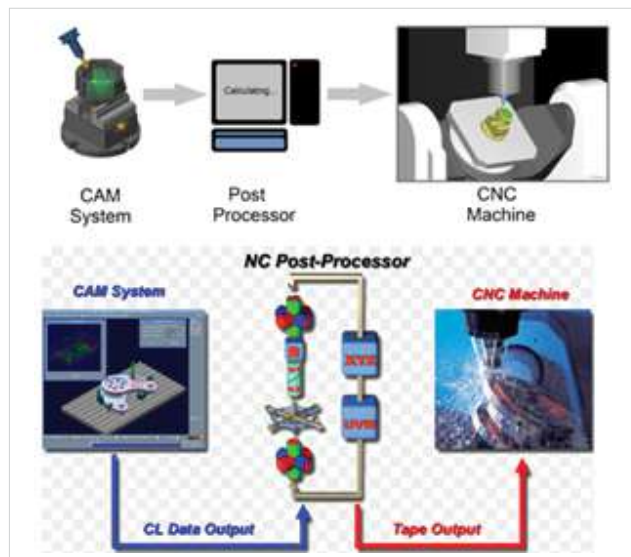
POST PROCESSOR & MACHINE SIMULATION

Supported softwares:

- NX CAM Post
- Solid Edge CAM Pro Post
- TopSolid'CAM Post
- SolidCAM Post
- MasterCAM Post

Supported CNC machines:

- 3 Axis Milling machine
- 4 Axis Milling machine
- 5 Axis Milling machine
- Mill-Turn machine
- Wire EDM machine
- Laser Cutting machine



SHOP DOCUMENT

Supported softwares:

- NX CAD/CAM
- TopSolid'CAM



PLM SOLUTIONS SERVICES

Teamcenter provides answers to the thorny problems you face, supports life cycle management from product creativity and demand, engineering, and manufacturing to maintenance, operation, and scrap, and helps enterprises turn more creativity into successful products and services.



PRODUCT SERVICES

Design Management

Teamcenter's product life cycle capabilities go beyond traditional CAD file management to capture all your CAD, CAM, and CAE product data and process knowledge (including requirements and technical documents) and establish relationships between these assets and a common product structure. With Teamcenter's workflow management function, you can manage changes, enforce company-specific business rules, and efficiently execute your product-related automated processes.

Document Management

With Teamcenter, users can query based on keywords and/or attributes. Quickly find documents in the PLM environment. Users do not need to be proficient in database commands and esoteric PLM concepts to locate the required product knowledge. Full-text search dramatically improves the ability to recognize, retrieve and reuse documents in a PLM environment.

BOM Management

Teamcenter's bill of materials (BOM) management function helps you manage increasingly complex products by making product definitions, product configurations, and the evolution of these information products in the lifecycle. Teamcenter enables all participants in the product life cycle to use BOM information according to professional needs.

Requirement Management

Teamcenter requirements management provides a systematic and repeatable solution for enterprises to define, capture, adjust, manage, and use product requirements data. Enterprises can deeply understand each product according to evolving customer needs and compliance issues.

Project Management

Using Teamcenter software, management, product managers, and plant managers can increase the visibility of plan implementation, expand the control of plan implementation, and explain plan implementation more accurately so as to strengthen plan implementation management.

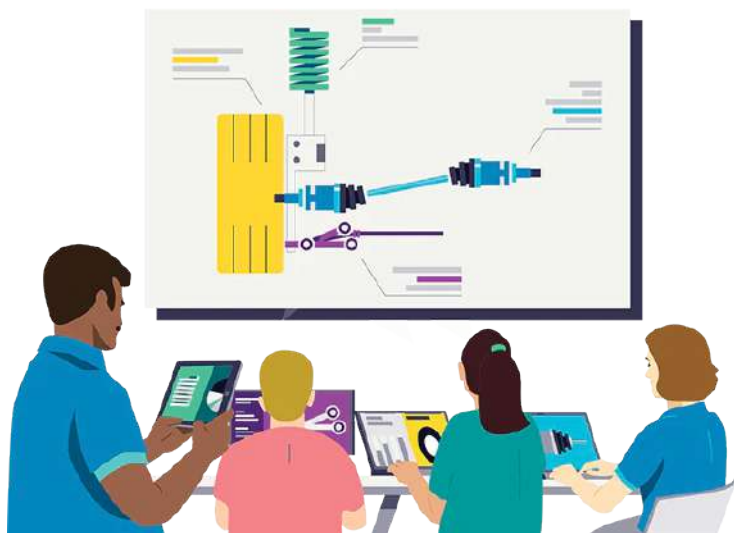


Service Lifecycle Management

With Teamcenter service solutions, service organizations can plan maintenance, repair, and overhaul (MRO) related to capital asset services. These capital assets range from individual components to the entire asset pool. With Teamcenter services, the service team can skillfully capture/manage maintenance requirements, analyze the utilization trend of individual assets, define the resources required to perform specific maintenance tasks, actively formulate on-site service plans, and incorporate maintenance needs into the operation plan.

Supplier Management

Teamcenter SRM capabilities enable you to monitor, track, and manage suppliers on an enterprise-wide basis by capturing and managing each supplier's information. Teamcenter supplier management solutions can expand the knowledge and visibility of user procurement teams, improve their negotiation strength, enable them to make more effective procurement decisions, and evaluate the performance of suppliers.



Manufacturing Data & Process Management

Teamcenter manufacturing process management function allows users to manage manufacturing data, processes, resources, and factory information in the same PIM environment as product development. By extending the manufacturing data model to the user's PLM environment, Teamcenter enables the user's engineering and manufacturing teams to work with a single source of product development, manufacturing planning, and production knowledge, broadening their insight into the whole process of the product life cycle.

Report & Analyze

With Teamcenter's reporting and analysis solution, enterprises can extract, analyze and report product and process information by using simple tools to convert the data managed by Teamcenter into usable knowledge and use this information to solve many business problems.

Systems Engineering

Using the graphical component module of system engineering, the development team can quickly describe complex products from a system-oriented perspective and decompose these high-level product structures into basic units of detailed design, planning constraints, project notes, etc.



PRODUCT VALUE



Scalability & Growth

Easily add functionality, manage users to support growth initiatives and expand to cover your global footprint



Latest innovation

Always up-to-date with the latest and most innovative PLM feature



Security

Whether your workers are at home or at the plant, protect your IP from threats with a zero-trust cloud security approach



Affordability

Eliminate the complexity, time, cost and risk of PLM installation, maintenance, and upgrades. Modern cloud platform that eliminates technical barriers



Greater Collaboration

Streamline product development and manufacturing processes with internal and external stakeholders with the Google Workspace connector to Teamcenter



Sustainability

Rest assured that your PLM workloads are running on the most sustainable cloud infrastructure in the market. Get access to carbon emissions of these for reporting purposes

INDUSTRY FOCUS



Industrial



Retail



Logistics



Healthcare



Automotive



Energy



Construction



Consumer Packaged Goods

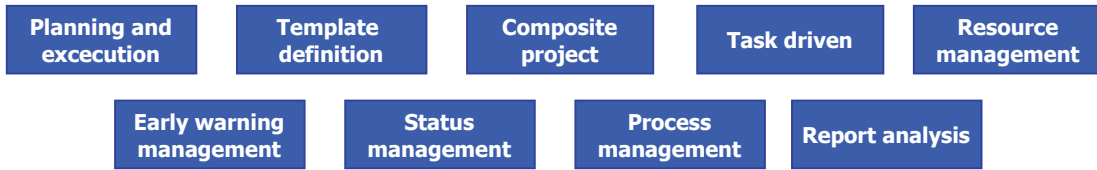
CUSTOMER BENEFITS

By the implementation of PLM for product data management and project management, the following indicators can be improved:

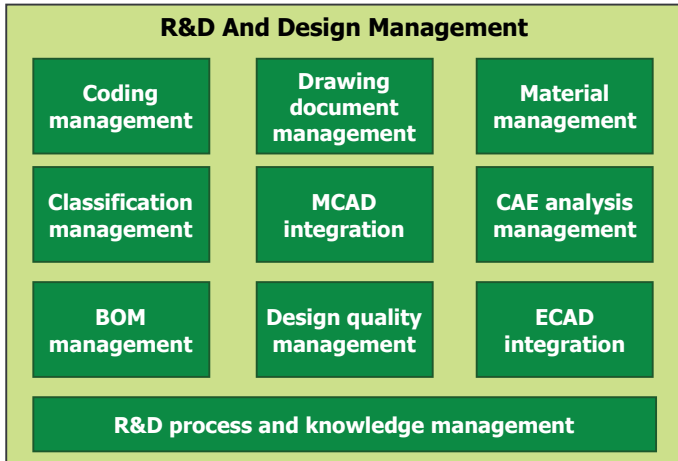
Index	Usually	Results
Material Waste	-30% ~ -40%	Complex products: - 40% Simple products: -30%
Project Cycle	-10% ~ -40%	New products: - 45% Complex products: -25% Simple products: - 14%
Number of projects in a year	+50% ~ 200%	+200%
Types and quantities of components (labour unchanged)		-52%
Loss caused by BPM and other data error	Almost negligible	Negligible amount

SOLUTION ROADMAP

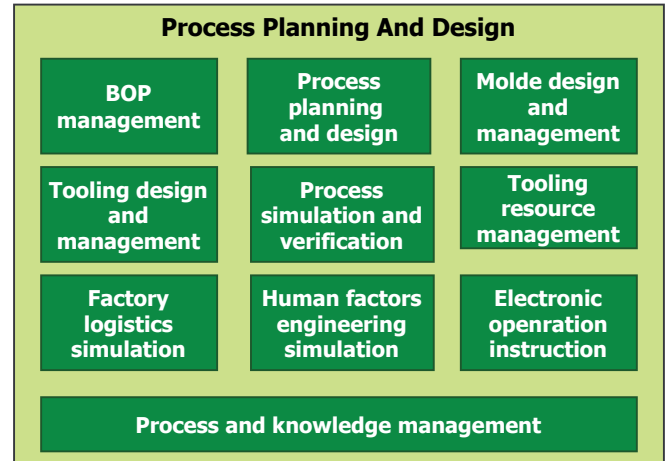
PROJECT MANAGEMENT



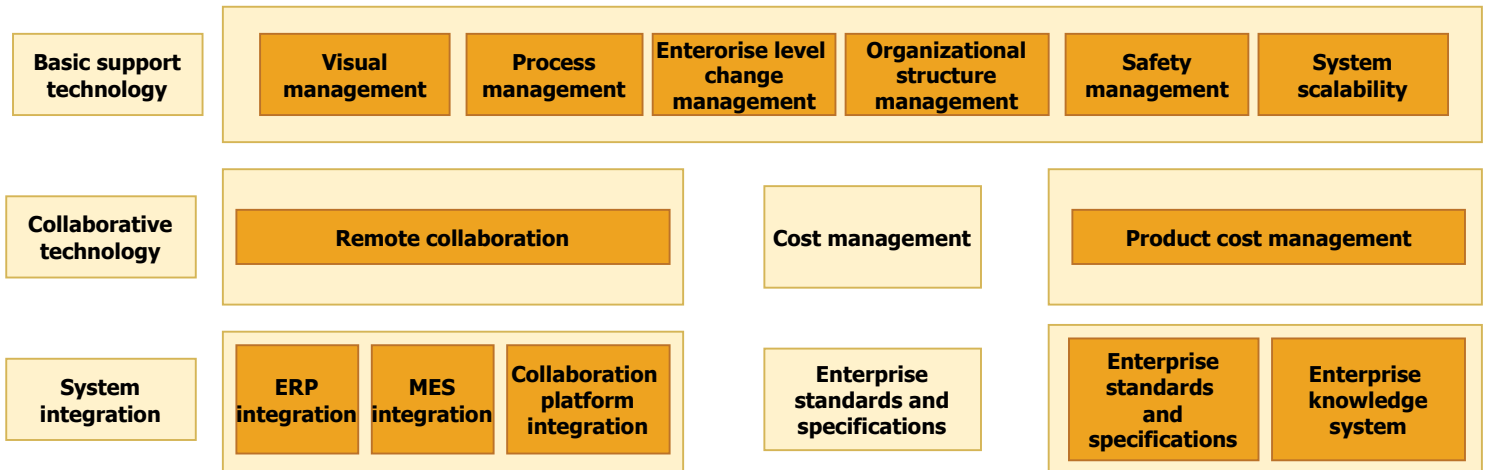
DIGITAL DESIGN DPD (Digital Product Design)



DIGITAL PROCESS DM (Digital Manufacturing)



DIGITAL SUPPORT

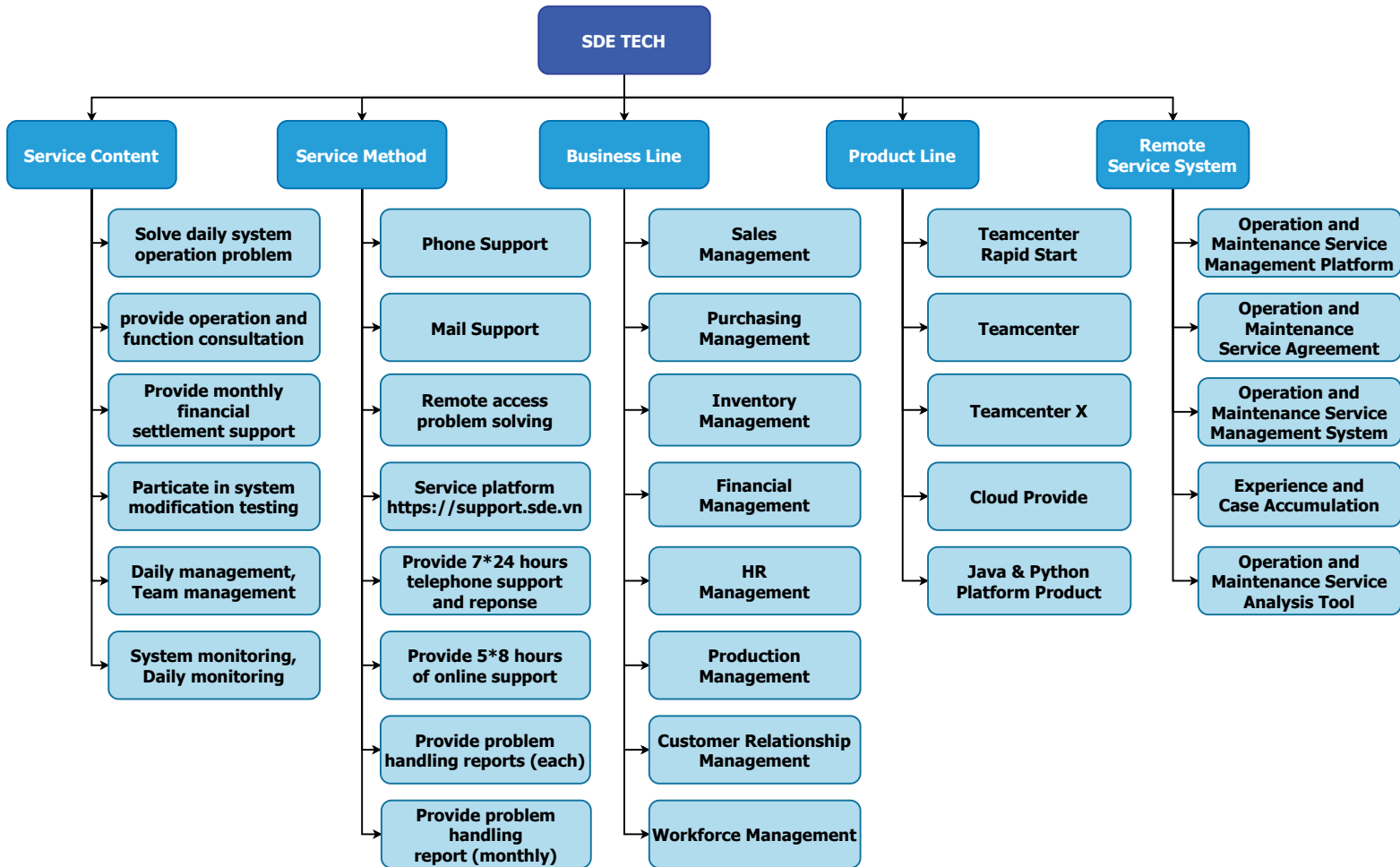


A fully integrated design, process and manufacturing R&D management platform

REMOTE OPERATION AND MAINTENANCE SERVICE

SDE remote operation and maintenance service focuses on enterprise information application operation and maintenance with 7*24 hour, intimate, worry-free, and satisfying service!

[SDE Remote Operation and Maintenance Capability Map]



PRODUCT ADVANTAGES

Strong resource guarantee

SDE currently has 50+ operation and maintenance teams and the company's 100+ resource pools that can be allocated to maximize resource response. When resources change, there is a mature system to ensure the normal operation and maintenance and delivery of quality. Implement the talent localization strategy to maximize the stability of the operation and maintenance team.

Perfect operation and maintenance system

SDE has a complete operation and maintenance system, which can quickly undertake operation and maintenance. Such as: perfect on-site management, personnel management, communication management, training management, quality management, and safety management system to ensure steady progress in operation and maintenance.

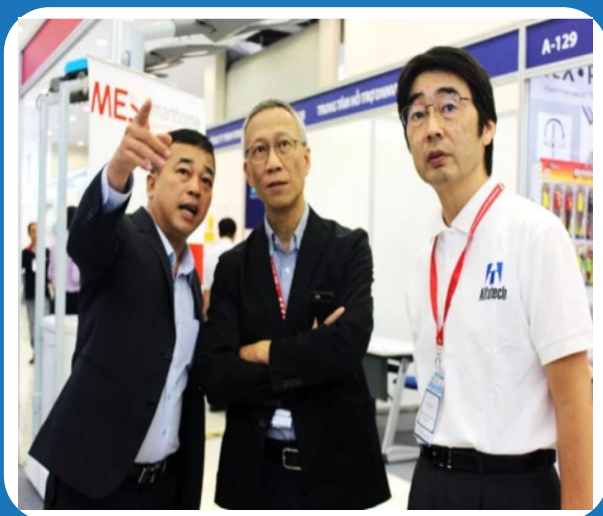
Rich operation and maintenance experience

With 10 years of information service experience in large enterprises and institutions across the country. The first IT company to create an operation and maintenance outsourcing model with a deep understanding of the characteristics and difficulties of operation and maintenance outsourcing.

CERTIFICATION - ACHIEVEMENT

Established in 2011, SDE DIGITAL TECHNOLOGY LTD., CO. (previously known as ProCAD Solutions & Smart Design Engineering Co. Ltd.) is on its way to state the position of the leading partner of Siemens Digital Industry Software in the area. In 2018, we are proud to become Smart Expert Partner of Siemens PLM Software in Southeast Asia Pacific for NX, Teamcenter, Solid Edge, Simcenter and Tecnomatix.

A journey of more than 13 years as a partner of Siemens, SDE TECH has received many valuable awards. This is not only a spiritual encouragement but also gives SDE TECH customers complete confidence in product and services.



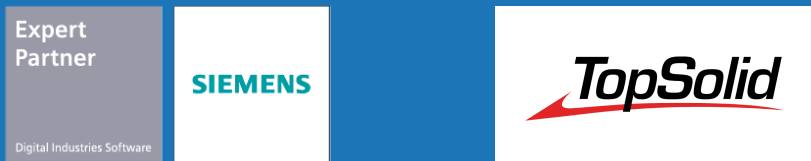
We were honored to receive the awards from Siemens for many years. Becoming a “golden partner” will be a big step to assert the position of SDE Vietnam in the high-tech market.



CUSTOMER



PARTNERS



IMPLEMENTED PROJECTS

INSTALLATION & TRAINING OF NX SOFTWARE AT TIGER VIETNAM COMPANY



INSTALLATION & TRAINING OF SOLID EDGE SOFTWARE AT VIETNAM GS INDUSTRY COMPANY – ELEVATOR FACTORY



INSTALLATION & TRAINING OF SOLIDCAM SOFTWARE – PROGRAMMING OF POST PROCESSOR FOR 4-AXIS HORIZONTAL CNC MILLING MACHINE MAZAK NEXUS 6800 II AT VIETNAM JVC



PROGRAMMING OF NX POST PROCESSOR FOR CNC 3 AXIS MILLING MACHINE HYUNDAI WIA ICUT380 SINUMERIK 828D CONTROLLER AT OMRON HEALTHCARE MANUFACTURING VIETNAM COMPANY



PROGRAMMING OF POST PROCESSOR FOR 3 AXIS CNC ROUTER MACHINE VEGA 1332 4X BY TOPSOLID'WOOD SOFTWARE



CONTACT



WEBSITE SDE TECH



LINKEDIN SDE TECH



FACEBOOK SDE TECH



YOUTUBE SDE TECH



FACEBOOK
TOPSOLID



YOUTUBE TOPSOLID

SDE DIGITAL TECHNOLOGY CO., LTD

Address: No.96 - Street 3B, Conic Residential Area, Hamlet 5,
Phong Phu Village, Binh Chanh District, Ho Chi Minh City

(+84) 909 107 719

(+84) 904 524 597

sales@sde.vn

<https://sde.vn/>



© Bản quyền thuộc về SDE TECH
© Vui lòng không sao chép